

**Safeaero 210XXS**

The future of de-icing

**New model**

**One Man Operation**



**SAFEAERO**  
i Trelleborg AB

# STRIKING ADVANTAGES

## *Cost efficient de-icing unit*

- *Simple, robust construction*
- *Independent de-icing operation*

## *Flexible Operation*

- *Aircraft de-icing with Type I / II / III / IV fluids*
- *One or two tanks*
- *Premix or proportional mixing system*
- *Boom system with side reach*
- *Usable also for maintenance or cleaning*
- *Two or one man operation*
- *Simultaneous driving and spraying*

## *Chassis options*

- *Small truck chassis → road legal*
- *Self propelled platform → no drivers licence required*

## *Technical Data*

- *Operational working height over 10m*
- *Operational side reach 6m*
- *Tank volume up to 2500 l*
- *Spraying capacity up to 200 l/min*
- *Electrical heating 18kw*
- *Diesel burner 80kw*

# SAFEAERO

**i Trelleborg AB**

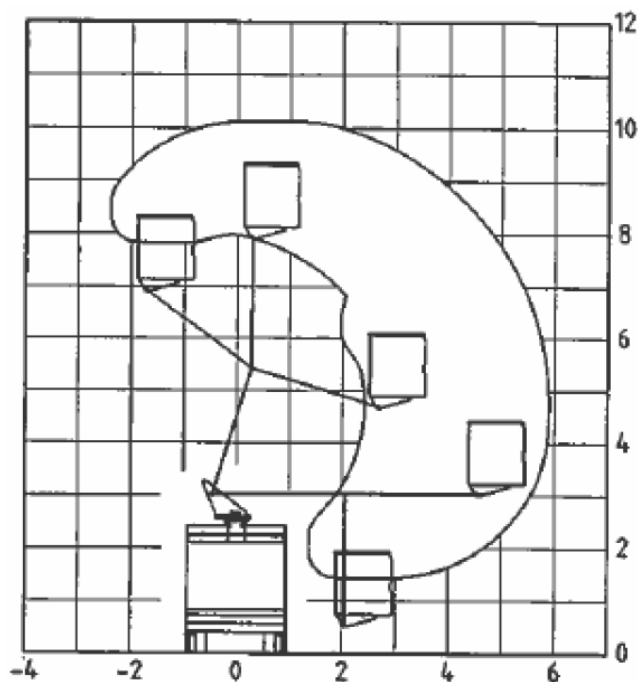
# DIMENSIONS

## Truck Chassis: Iveco Daily

### Dimensions



### Operational diagram



# SAFEAERO

i Trelleborg AB

SAFEAERO i Trelleborg AB  
Box 48  
S-231 21 TRELLEBORG  
[www.safeaero.com](http://www.safeaero.com)

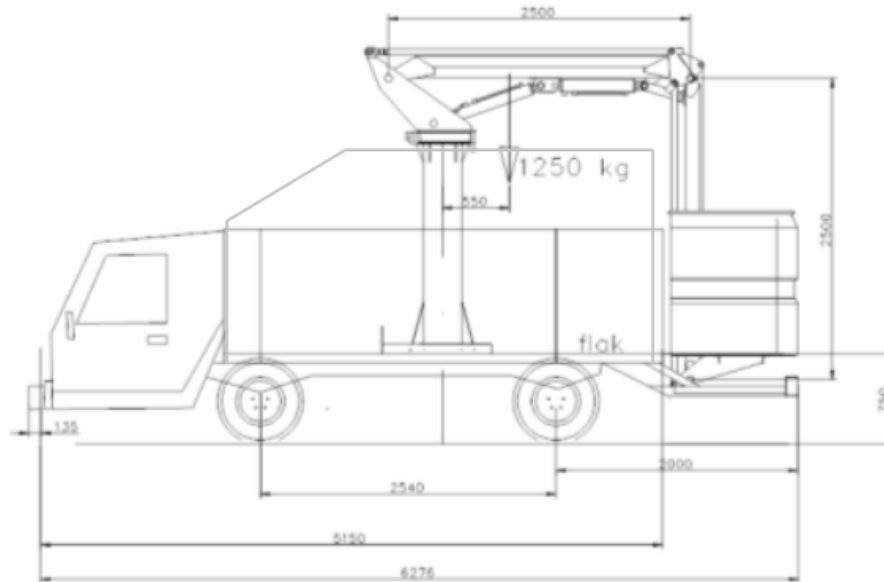
Phone Office +46 (0) 41014050  
Phone Factory +46 (0) 41014010  
Fax +46 (0) 41045125  
E-mail [safeaero@safeaero.com](mailto:safeaero@safeaero.com)

VAT no SE 556525357101

# DIMENSIONS

## Self propelled platform

### Dimensions



(Option: Basket can be placed in front right to cabin)

### Operational diagram



# SAFEAERO

i Trelleborg AB

SAFEAERO i Trelleborg AB  
Box 48  
S-231 21 TRELLEBORG  
[www.safeaero.com](http://www.safeaero.com)

Phone Office +46 (0) 41014050  
Phone Factory +46 (0) 41014010  
Fax +46 (0) 41045125  
E-mail [safeaero@safeaero.com](mailto:safeaero@safeaero.com)

VAT no SE 556525357101